

v.1.0 07/2017

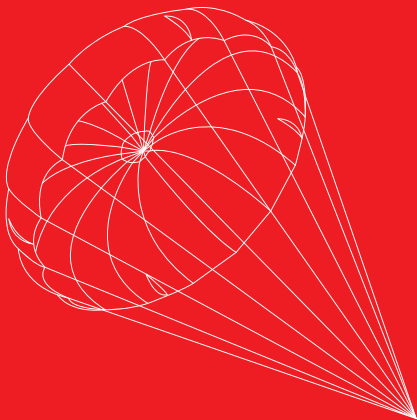
EN



GIN

# ***G-LITE***

## **Rescue Parachute Manual**



**Please read this manual prior to installing the GIN rescue  
parachute into your harness**

Thank for choosing Gin Gliders. We are confident you'll enjoy many rewarding experiences in the air with your GIN rescue.

This manual contains important safety, performance and maintenance information. Read it before your first flight, keep it for reference, and please pass it on to the new owner if you ever re-sell your rescue.

Any updates to this manual, or relevant safety information, will be published on our website: [www.gingliders.com](http://www.gingliders.com). You can also register for e-mail updates via our website.

Happy flying and safe landings,

GIN team

## SAFETY NOTICE

Like any extreme sport, paragliding involves unpredictable risks which may lead to injury or death. By choosing to fly, you assume the sole responsibility for those risks. You can minimize the risks by having the appropriate attitude, training and experience and by properly understanding, using and maintaining your equipment. Always seek to expand your knowledge and to develop self-reliance. If there is anything you do not understand, consult with your local dealer as a first point of contact, with the GIN importer in your country or with Gin Gliders directly.

Because it is impossible to anticipate every situation or condition that can occur while paragliding, this manual makes no representation about the safe use of the paragliding equipment under all conditions. Neither Gin Gliders nor the seller of GIN equipment can guarantee, or be held responsible for, the safety of yourself or anyone else.

Many countries have specific regulations or laws regarding paragliding activity. It's your responsibility to know and observe the regulations of the region where you fly.

## Purpose

This rescue is a hand-deployed reserve parachute for paraglider pilots to be used in an emergency situation while flying.

## Conditions of use

**Maximum speed for usage:** 32 m/s (115 km/h)

**Repacking interval:** 6 months, the rescue parachute should be repacked and recorded in the “Re-packing History” section of this book.

**Inspection interval:** 6 months, each time the rescue is repacked it should be inspected for damage, the effect of water, sand, salt or other environmental influences may reduce the repack / inspection interval.

**Replace:** 10 years, it is recommended that the rescue be replaced even if never used.

Model	G-LITE	
Size	#32	#39
Area (m <sup>2</sup> )	31	38
Line length (m)	6.33	7.01
Centre line (m)	5.57	6.17
Weight (kg)	1.7	2.1
Max load (kg)	105	130

Certified in accordance to the EN-12491 standard.

GIN rescue parachutes are inspected and packed at the factory. It is recommended that the reserve is repacked by a suitably qualified and experienced paragliding professional or parachute rigger prior to installation into your harness. The efficacy of the rescue, and your life, depend on the correct packing procedure. If in any doubt whatsoever, please seek professional advice from your instructor, GIN dealer or importer.

## Airing

Before packing, the canopy should be aired. Ideally, the canopy should be hung by its apex from the ceiling for between 6 and 24 hours in a cool, dry room.

## Preparation

The packing area must be spacious, clean, smooth and dry.

## Preliminary Materials

Before starting the packing procedure, make sure you have the following materials:

- ☑ 2 lengths of thin cord to aid closing the inner deployment bag
- ☑ 2 solid weights or sandbags, which should be smooth and clean (2-2.5kg)
- ☑ Elastic bands

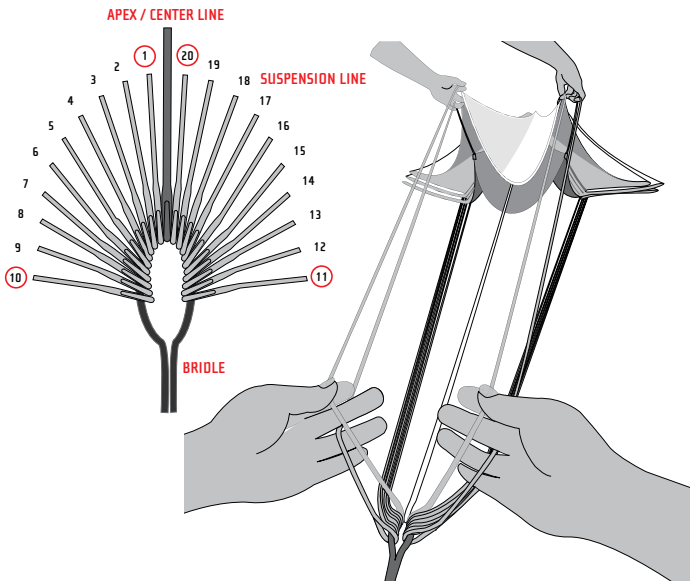
Carabiners are useful, but not necessary, to attach the APEX and lines to an attachment point.

## Layout

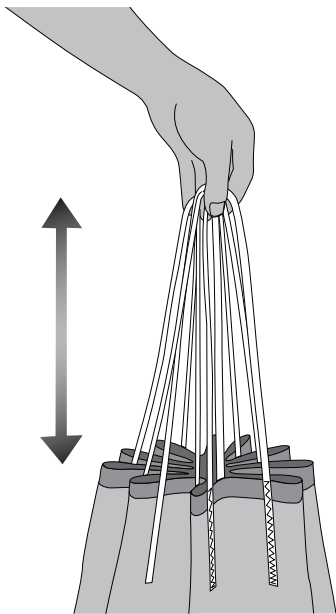
Check the serial number that is written on the top centre panel and on the re-packing card first (re-packing card is attached at the end of this manual). Fix the risers to a solid point using carabiners.

## Line check

- 1) Stretch the rescue out to its full length.
- 2) Anchor the riser connection to keep lines tight.
- 3) Check the suspension lines for tangles by the "4 lines check" method:
  - All lines should be located inside the first 2 and last 2 lines as illustrated.



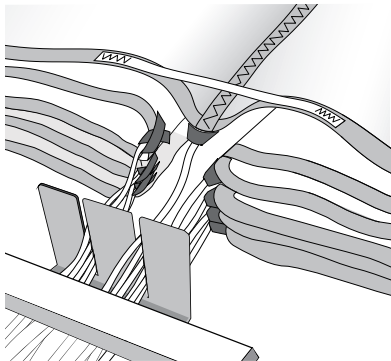
4) Check that all the apex lines are the same length.



## Folding the panels

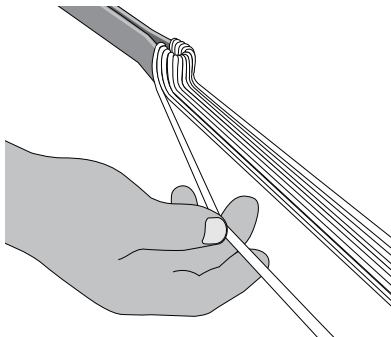
### 1) Separate lines

- Put the suspension lines on a line separator so that half of them are on the left, and half are on the right. Put a weight on the skirt to fix the canopy.



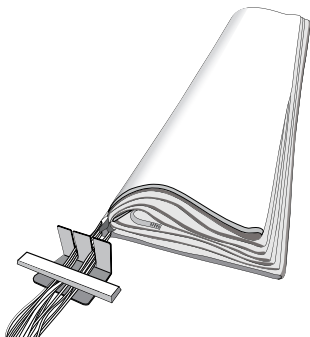
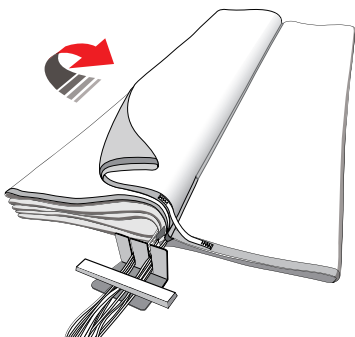
### 2) Find center point

- Follow the outer suspension line to find the center panels to start folding



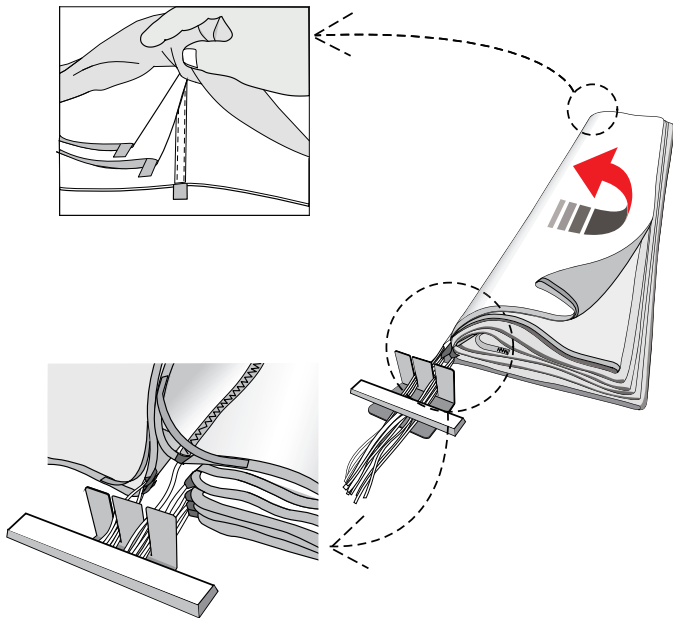
### 3) Dividing the Panels

First fold all the panels one by one to the right side of the suspension lines, to prepare for the careful folding. While doing this, check for any signs of damage or deterioration of the canopy fabric.



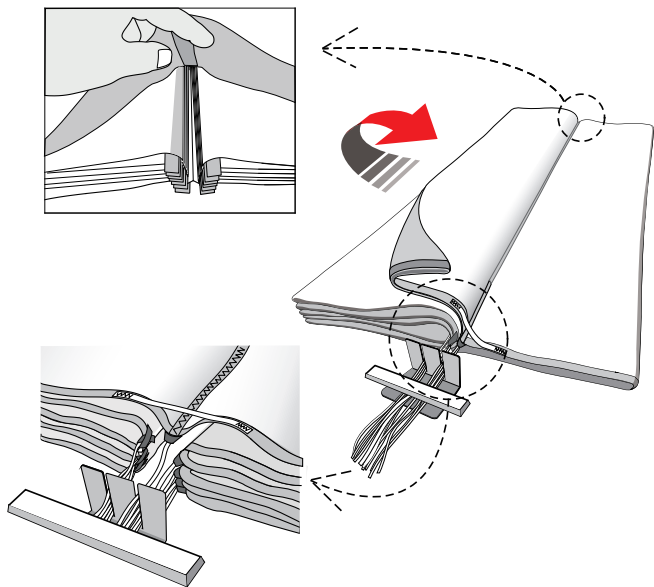


Fold each panel to the left side of the suspension lines again one by one, check carefully that each panel is laid evenly and without creases. Check the center seams and inside the panels, too.



**IMPORTANT:** Make sure that all the skirts are even and all the loops lie in the same direction.

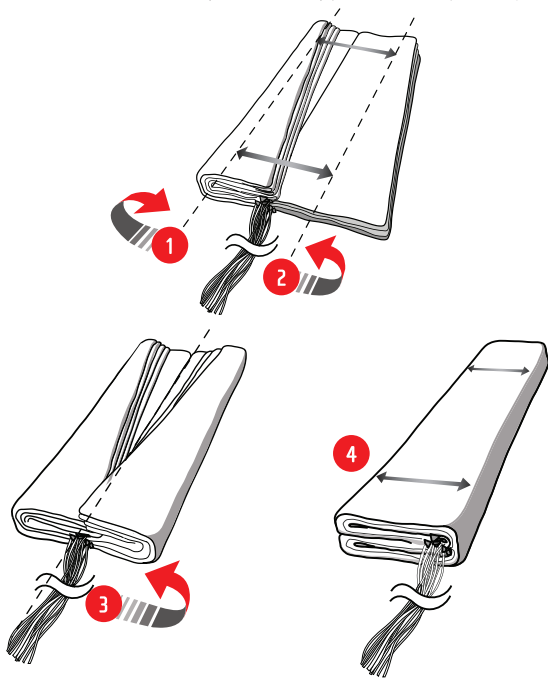
After you finish the left half, do the same for the right half of the canopy. Move the rest of the right half to the left, and fold each panel one by one to the right side of the suspension lines. Check the same carefully that each panel is laid evenly and without creases. Check the center seams and inside the panels, too.



**IMPORTANT:** After folding all the panels, check again that the center seams and the inside of the panels are even and lie in the same direction.

## Inner bag folding

Fold 1/3 of the canopy from the left, and fold another 1/3 from the right side. Then, fold the right half of the canopy onto the left. Fold so that the width of the canopy is the same from the top of the canopy to the skirt (bottom).

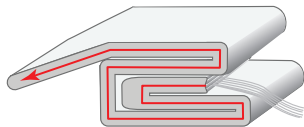


5



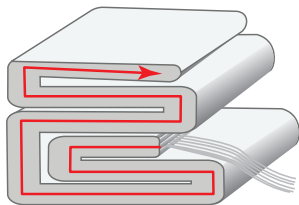
Fold the rescue over the top of the suspension lines.

6



Fold the top to make clean.

7



Fold the rescue so that the suspension lines are in the middle, be sure to follow this pattern.



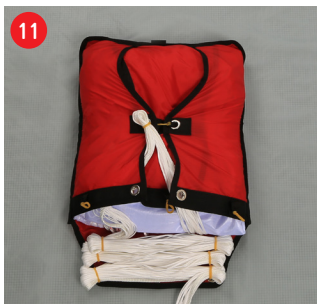
Place the folded rescue into the inner bag. Fold 60cm of line under the rescue.



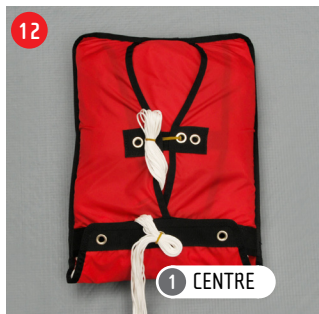
Secure the suspension line using the middle elastic band.



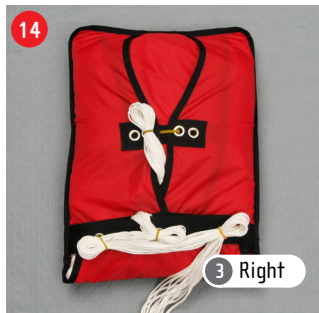
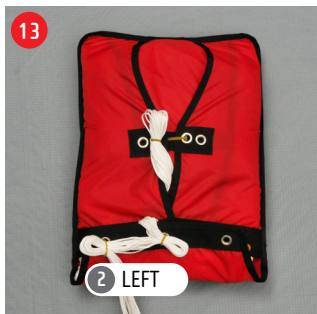
Fold the para-cord into symmetrical bundles the approximate width of the bag.



Use elastic bands to hold the loops and neatly stack the bundles at the bottom of the bag.



Close the bottom flap in the order shown.



There should be around 40cm of suspension line remaining to connect with the harness.

G-LITE is compatible with GIN harnesses. It may also be compatible with most other manufacturer's harnesses, but there is no guarantee of this and you should check with your instructor or dealer.

## Outer container attachment

This rescue can be attached to harnesses which do not have a built-in rescue container, like the speed glider harnesses. Use of a rescue on these harnesses requires an outer container bag. You must follow the harness and outer container bag instructions for proper attachment. If in doubt, consult with a professional.

## Attaching the rescue bridle to the harness webbing

To connect this rescue to your harness, we recommend using a GIN Rescue carabiner. If you choose to use a different type of connector, it should be rated at least 9 times the maximum weight. For example, our recommended 8mm Stainless Steel screwgate maillon (square) connector has a minimum breaking load of 28kN (2855 Kgf). It is the pilot's responsibility to check the compatibility of the rescue system and ensure that it is installed properly.

Be sure to inspect your connector during normal maintenance and safety checks. Replace it whenever there are any signs of wear and check your rescue system with a professional after any deployment. We recommend that you cover the connection using the Maillon rapid cover to prevent excess friction. Rubber bands should also be used to secure the attachment and prevent excess friction.



## Attaching the deployment handle

Most harnesses come with their own deployment handle. This handle and its strap must be connected to the deployment bag of the parachute. In particular, check the length of the strap connecting the rescue deployment handle to the rescue inner container. It should be long enough that the reserve can be extracted without the danger of the pins not being pulled before the strap tightens on the reserve, but not so long that there is excessive slack that extends the movement required for deployment.

## Preflight checks

For maximum safety, use a complete and consistent system of preflight checks of your equipment and repeat the same mental sequence at every flight.

### Specifically for the rescue, check that:

- ☑ There is no visible damage that could affect its airworthiness.
- ☑ The rescue parachute container is closed correctly with the pin(s) in place.
- ☑ The deployment handle is secured correctly and all parts are in good condition. If any part of the harness/reserve/handle system include Velcro, then this must be separated and re-attached regularly to prevent Velcro 'bedding in' over time which can make rescue deployment much more difficult.



## Rescue deployment

It is vital to periodically feel the position of the rescue handle in normal flight, so that the action of reaching for the rescue is instinctive in an emergency.

In the event of an emergency, the pilot must quickly evaluate his or her height and the seriousness of the incident. On that basis, an instantaneous decision to deploy the rescue or not must be taken. Deploying the rescue when the glider is recoverable may increase the danger of injury. If you have sufficient height and the glider is in a flat spin, it is preferable to first try to stop the spin (e.g. full stall), due to the risk of entanglement. On the other hand, a second's hesitation in deploying the reserve could prove costly if there is insufficient height.

### Procedure

If the rescue is to be deployed, the procedure is as follows:

- ☑ Look for the rescue handle and grasp it firmly with one hand
- ☑ Pull firmly upwards/side wards on the handle. This action undoes the Velcro or handles closure and allows the release pins to be pulled out of the release loops, so that the inner container can be released from the harness' rescue compartment.
- ☑ Look for a clear area, and in a continuous motion, throw (and RELEASE!) the rescue as quickly and forcefully as possible away from yourself and the glider. Throwing the rescue in the direction of the air stream will speed opening, and throwing it against the direction of spin will help prevent tangling with the glider.
- ☑ After deployment, avoid entanglement and pendulum motions by pulling in the glider as symmetrically as possible with the B, C, D or brake lines
- ☑ On landing, be sure to do a PLF (Parachute Landing Fall) to minimize the risk of injury
- ☑ Once on the ground, deflate the canopy by pulling on the centre line to avoid the possibility of being dragged.

The GIN rescue parachute should be repacked at least every 6 months, as detailed in the packing instructions. We always recommend that this rescue parachute is inspected and repacked by a trained professional repacker. Additional inspections should be performed if there is any suspicion of damage or undue wear.

After a deployment, the rescue should be checked by the distributor or manufacturer. Always seek professional advice whenever in doubt.

The materials used in the GIN rescue have been carefully selected for maximum durability. Nevertheless, maintaining your rescue following the guidelines below will extend its lifetime.

It is recommended that a rescue is replaced after 10 years, even if it has never been used.

## Storage

Unnecessary exposure to UV rays, heat and humidity should always be avoided. Keep your harness and rescue in your rucksack when not in use.

Store all your paragliding equipment in a cool, dry place, and away from solvents such as grease, acid, oil and paint.

Never put your rescue away while damp or wet.

If your rescue parachute does ever get wet (i.e. water landings or snow) you must remove it from the harness, dry it naturally in the air, and repack it before putting it back into the container.

A dirty rescue canopy or container can be cleaned with lukewarm water. Do not rub the fabric. Rinse the canopy thoroughly and allow it to dry naturally. If the canopy shows signs of mildew or mold, it must be sent to the distributor or manufacturer for repairs, as the strength could be compromised.

If the rescue is to be stored for an extended period, the canopy should be opened and loosely rolled.

## Damaged rescue

If there is any noticeable damage to the rescue parachute after inspection, the rescue must be sent for inspection/repair to the manufacturer.

## GIN lifetime guarantee

Gin Gliders are proud to guarantee the quality, craftsmanship and performance of all our products. Equipment with defects in materials or manufacturing will be repaired or replaced at the discretion of Gin Gliders for the practical lifetime of the product. Equipment damaged through wear and tear, misuse or neglect may be repaired at a nominal charge.

If you have any problems with your equipment, please contact your GIN dealer in the first instance, or Gin Gliders directly via our website.

## Care of the environment

We are privileged to fly in areas of outstanding natural beauty. Respect and preserve nature by minimizing your impact on the environment. When visiting an area, contact the local club for details of environmentally sensitive areas and local restrictions.

Gin Gliders gives consideration to the entire life cycle of its products, the last stage of which is recycling in an environmentally-friendly manner. The synthetic materials used must be disposed of properly. If you are not able to arrange appropriate disposal, Gin Gliders will be happy to recycle it for you. Send the equipment with a short note to this effect to Gin Gliders Inc.

**ATTENTION:** Chemicals (petrol), detergents, insects, mold, etc. can cause the material to degrade and can cause considerable damage to your rescue.

# Re-packing history

Pilot name:

First installation date:

--	--

Serial No.

--

Repacking Date	By	Signature

**Every effort has been made to ensure that the information in this manual is correct, but please remember that it has been produced for guidance only.**

This owner's manual is subject to changes without prior notice. Please check [www.gingliders.com](http://www.gingliders.com) for the latest information regarding the GIN rescue parachute and other GIN products.

## Product registration

Register your product for full warranty benefits:  
[www.gingliders.com/register](http://www.gingliders.com/register)



---

## Gin Gliders Inc.

2318-32, Baegok-daero, Mohyeon-myeon,  
Cheoin-gu, Yongin-si, Gyeonggi-do, Korea 17036  
[www.gingliders.com](http://www.gingliders.com)